

KPR2000

WIRED KEYPAD AND PROXIMITY READER



Complete Single Entry Access Device

LiftMaster®'s KPR2000 is a feature-rich keypad and proximity card reader access controller that is simple to install and looks great, making it an excellent choice for both Residential and Commercial applications. A secure and vandal-resistant enclosure with a gray powdercoated finish creates an upscale and stylish appearance. A multicolor LED Status Display and blue backlighting of the keys assures day or night visibility. Install the KPR2000 on any pedestal and pair it with a LiftMaster Gate or Commercial Door Operator for a superior complete access control solution.

Performance

- **The KPR2000** supports a maximum of 2,000 users in multiple access configurations (card only, 4 to 5 digit PIN only, or a combination of card and PIN). Supports HID 26 and 30-bit Wiegand proximity card formats.
- **Designed for outdoor environments** with a sealed, weather proof design allowing you to easily mount anywhere.
- **Functions as a Stand-Alone Controller or in Pass-Through Mode** (Wiegand Keypad, Wiegand Proximity Credentials, ASCII Keypad).
- **Latch Mode** allows you to hold open a door or gate for an extended period of time.
- **Rapid Programming and Block Enrollment** capability, "Add" and "Delete" program cards included.
- **Programmable Output Relay** with adjustable contact time appropriate for Gate Operator, Commercial Door Operator, Door Strike or Solenoid Lock.
- **Capable of networking** two KPR2000s, PPWR to the KPR2000 or to most Access Control Systems.

Safety and Security

- **Rugged Vandal-Resistant Backlit Metal Enclosure** to protect the KPR2000 casing from unwanted entry.
- **Anti-Tamper Alarm** alerts you when someone has attempted to open the case while powered.
- **Integrated Alarm Buzzer and Output** allows you to set additional security alarms.

Optional Accessories:



Gooseneck Pedestal (PED42)

42 in. pad mount pedestal, 2x2 in. square pipe, black powder coat finish 11 ga. steel.



Gooseneck Pedestal (PED64)

64 in. in-ground mount pedestal, 2x2 in. square pip, black powder coat finish 11 ga. steel.



Trim Plate Kit (142A0271)

Decorative trim piece for face plate, powder coated finish, black.



Power Supply (PS12D2A)

12 VDC, 2.0 Amp power supply.



ProxCard II® 1326

Clamshell 26 Bit Card (LMPC2-ST)



ProKey III® 1346 Key Fob

(LMPK3-ST)



Passport Receiver (PPWR)

Security+ 2.0® receiver compatible with LiftMaster Access Control solutions. Supports standard Wiegand protocol in two operational modes: Pass-Thru and Advanced.



3-Button Mini Passport MAX Keychain Proximity Remote Control (PPK3PHM)

Remote control with Weigand proximity sensor for access control integration with a card reader. Compatible with PPWR, LiftMaster Security+ 2.0 and Security+® Residential Garage Door Openers.

KPR2000

WIRED KEYPAD AND PROXIMITY READER

SPEC SHEET STANDARD SPECIFICATIONS

USER CAPACITY

2000 User ID's with cards and/or PINs

OPERATING VOLTAGE

12 - 24 Vdc or 12 - 18 Vac

CURRENT DRAW

- 50mA idle; - 80mA active

PROXIMITY CARD READER

HID 26 and 30-bit Wiegand Format

ONBOARD PROXIMITY READER

Industry standard 125 kHz

READ RANGE - PROXIMITY

1 in. - 2.5 in.

RELAYONE (NO, NC, Common)

Adjustable Relay Output Time...1 - 99 seconds (5 second default)

Adjustable Auxiliary

Alarm Output Time.....0 - 3 Minutes (1 minute default)

Lock Output Load.....2 Amp Maximum

Auxiliary Alarm Output Load.... 10 Amp Maximum

WEATHERIZATION

Indoor/Outdoor Applications (meets or exceeds IP68)

OPERATING TEMP

-20° to 60° C, or -4° to 140° deg F

OPERATING HUMIDITY

10% to 90% Non-condensing

ENCLOSURE

Zinc-alloy

KPR2000 DIMENSIONS

Fit a standard single outlet box, or a 4 in. square pedestal mount.



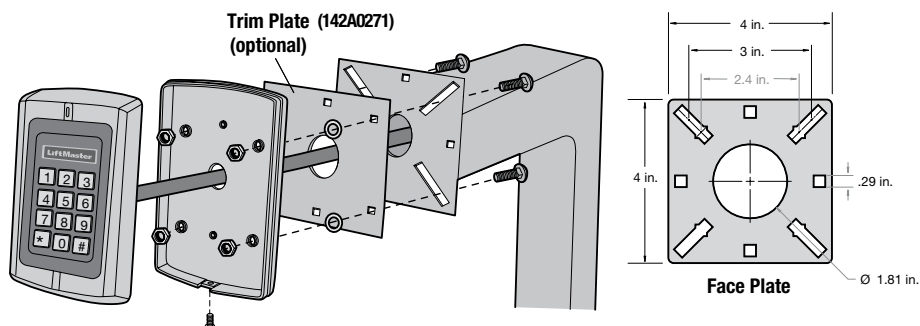
PHYSICAL DIMENSIONS

Height	5 in.
Width	1.1 in.
Length	3.25 in.
Unit Weight	1 lb.
Shipping Weight	1.4 lb.

WARRANTY: 1 Year Limited.

KPR2000 MOUNTING

Fit a standard single outlet box, or a 4 in. square pedestal mount.



Sales Support: 800.282.6225
 Technical Support Center: 800.528.2806
 LiftMasterDealer.custhelp.com/app/ask

For Support Tools and Videos visit
LiftMasterTraining.com